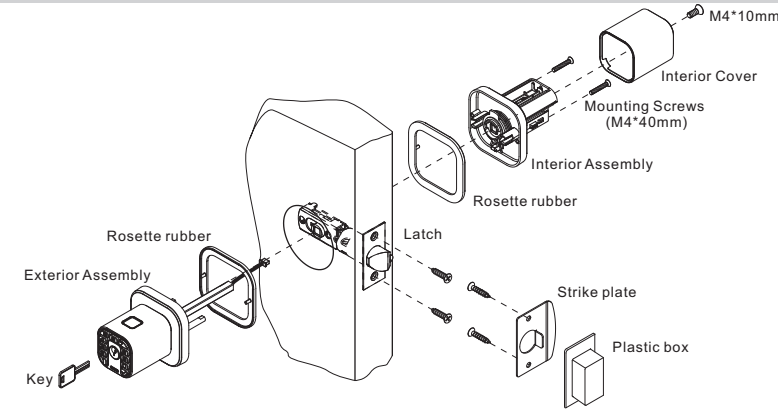


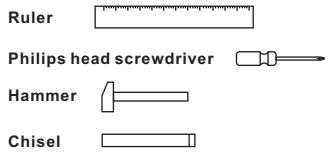
Richelock

IU-51 Fingerprint Door Lock Installation and User Guide

Lock Components

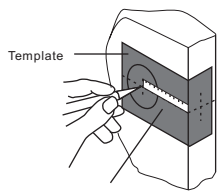


Required tools (not included)



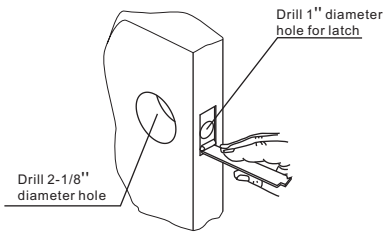
1. Prepare the door and check dimensions

1.1 Use template to mark holes

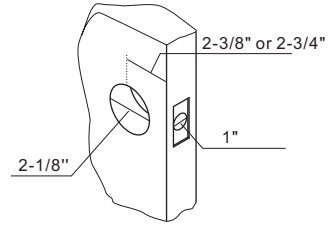


Measure your door for a backset of the 2-3/8" or 2-3/4". If it is 2-3/4", adjust the latch as follows: Grasp the spring pin and move it from the 2-3/8" slot to 2-3/4" slot.

1.2 Drill two holes

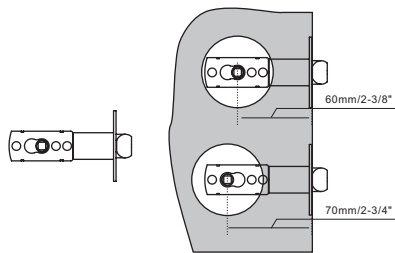


1.3 Check dimensions

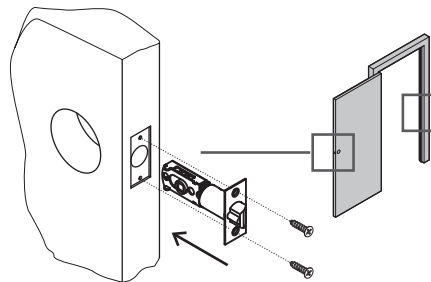


2. Install the latch and strike plate

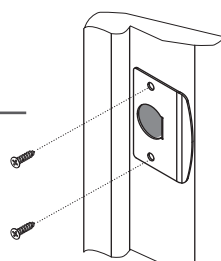
2.1 Setting latch (2-3/8" or 2-3/4")



2.2 Install the latch

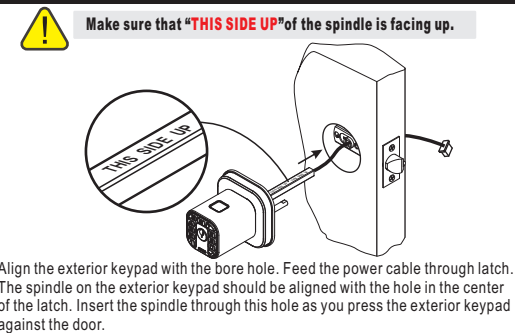


2.3 Install the strike plate

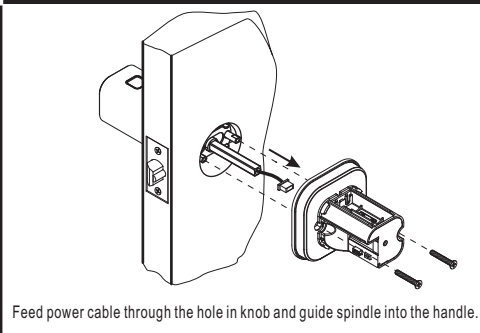


3. Install the exterior keypad and the interior assembly

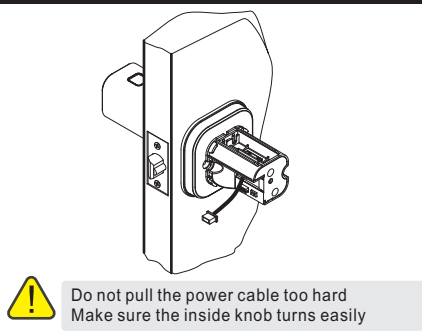
3.1 Install the exterior keypad



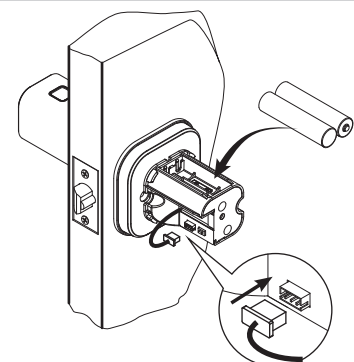
3.2 Install the interior assembly



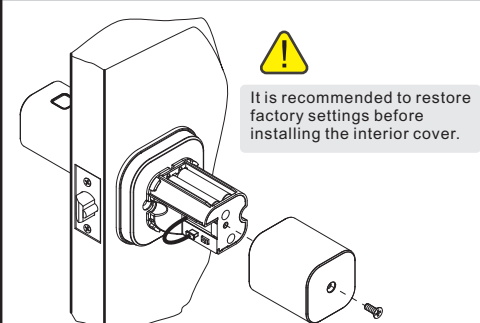
3.3 Push out the power cable



4. Install the batteries and perform the door handing process



5. Install the interior cover

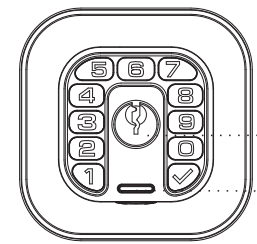


6. Testing the door lock

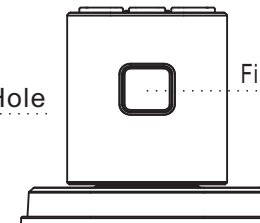
Step 1: Test the exterior knob
Turn the exterior knob clockwise or counterclockwise. And the latch will not move. If the latch moves in one direction, it means it is not installed correctly, please check step 3.1 section.

Step 2: Test the interior knob
Turn the interior knob clockwise or counterclockwise. The latch should move smoothly in both directions.

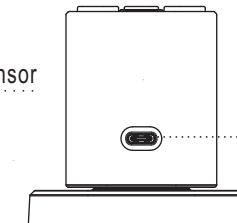
Step 3: Test the default master code
Enter 123456, and you will see a green light and hear one long beep.
Turn the exterior knob when it turns green. The latch should move smoothly in and out.



FRONT VIEW



TOP VIEW



BOTTOM VIEW

Indicator light signals and beep

The color of the light indicates & beep, the status of the lock.

Green

- a correct master passcode or user passcode was entered, one long beep
- the programming process is complete, one long beep

Red

- an incorrect master passcode or user passcode was entered, three short beep
- there was an error in programming, three short beep
- red blinking and beep after keypad backlight indicates critically low battery

Passcode and Passcode Disguise

Master passcode

- The master code MUST EXIST and can be modified, but cannot be deleted.
- The lock comes preset with default master passcode 123456.
- Make sure to set a new master code which can be 1-15 digits long as soon as you finish installing the lock.
- Used to put the lock in programming mode.
- Can unlock the lock.
- Must be different from all of the User Codes currently in the lock.
- If you forget the master passcode, you may reset the lock to factory settings, which restores the default master passcode. Please see Restore Factory Settings.

User passcode

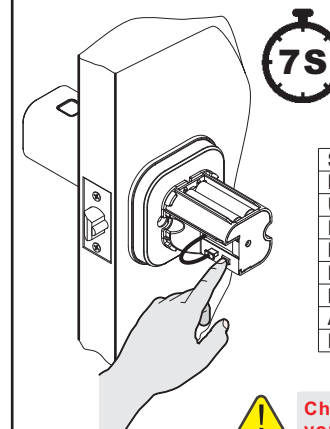
- User codes can be added, modified, deleted.
- Can be 1-15 digits long.
- The lock comes preset with no user codes.
- Used to unlock the lock.
- Must be different from the master passcode and other user passcodes.
- Up to 50 possible user codes can be stored in the lock at one time.

Passcode Disguise

This function is an added security feature which is aimed at preventing passcode theft. With Passcode Disguise, you may enter up to 40 digits into the keypad. As long as the correct passcode sequence is entered, regardless of how many digits were entered before or afterwards, the lock will unlock.
For example, if your user passcode is "112256", you can successfully unlock the lock by entering "****112256****" (limit 40 digits).

Restore Factory Settings

To delete all user codes, including the master code, follow the instructions below:
1. Use a screwdriver to remove the screws from the interior cover.
2. Remove the cover and find the reset button located on the battery pack.
3. Press and hold the reset button for 7 seconds until long beep are heard. The master passcode will return to the manufacturer default code '123456'.



Settings	Default
Master code	123456
User code	Not preset
Fingerprint	Not preset
Beeper	Enable
Passage mode	Disable
Lock mode	Auto-lock mode
Auto-lock timer	4 seconds
Remote code	Deactivated

Change your master code immediately when you finish restoring the factory settings.

Unlock with passcode

master code or user code

Green and one long beep

Code correct, you can turn the knob to open the door immediately, and it will be automatically locked later (the automatic locking time depends on the setting of the automatic locking timer, the default is 4 seconds).

Red and three short beeps

The code is incorrect, please re-enter the correct code and press the check button to confirm

Unlock with fingerprint

Green and one long beep

Fingerprint correct, you can turn the knob to open the door immediately, and the lock will be automatically locked later (the automatic locking time depends on the setting of the automatic locking timer, the default is 4 seconds).

Red and three short beeps

Fingerprint is incorrect, please re-scan the fingerprint.

Unlock with key

Insert the key and rotate the key. The first quarter turn should be very easy, then continue to turn the key to retract the latch and you may need to apply some force.

Tips: Turning the handle with the other hand in the same direction while you are turning the key will make it easier to open.

Note: Because the knob is relative heavy and the mechanical key of this electronic door knob is completely independent, so using the key requires a little more force than the common mechanical lock.

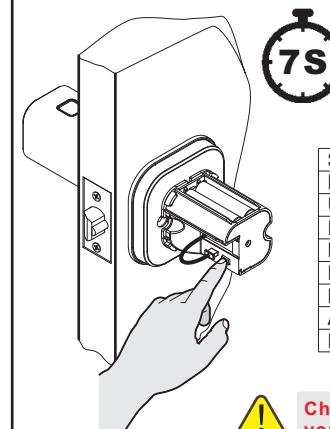
Immediate Lock



Press the check button 4 times in a row at any time and the door will be immediately locked, which overrides any other working modes.

Restore Factory Settings

To delete all user codes, including the master code, follow the instructions below:
1. Use a screwdriver to remove the screws from the interior cover.
2. Remove the cover and find the reset button located on the battery pack.
3. Press and hold the reset button for 7 seconds until long beep are heard. The master passcode will return to the manufacturer default code '123456'.



Settings	Default
Master code	123456
User code	Not preset
Fingerprint	Not preset
Beeper	Enable
Passage mode	Disable
Lock mode	Auto-lock mode
Auto-lock timer	4 seconds
Remote code	Deactivated

Change your master code immediately when you finish restoring the factory settings.

Features

- Two ways to access: code and key
- 22 F to +176 F temperature range
- Low power consumption, 2 AAA for 1 Year Battery Life or 12,000 times unlock
- Backlit keypad for use in low light environments
- 1 master code and 50 user codes
- Built-in mobile remote code
- Passage mode for hassle-free entry
- Built-in disguise feature to protect your codes from prying eyes
- Low battery warning indication

No.	Item	Description
1	Keys	2 Mechanical keys (KW1 model)
2	Latch	Spring Latch (2-3/8" or 2-3/4" adjustable)
3	Master code	1 Group (From 1 to 15 digit in length)
4	User code	50 Groups (From 1 to 15 digit in length)
5	Fingerprint	100 Fingerprints
6	Battery usage	2 AAA Batteries (Not included)
7	Battery life	1 Year Battery Life or 12,000 times unlock
8	Operation temperature	From -22 F to +176 F

Programming

Command mode

»If you make a mistake during programming,press the check button repeatedly until the keypad lights up. Then start over.

FINGERPRINT

REGISTER FINGERPRINT						
Press	Press	Press	Press	Enter	Press	
✓	①	①	✓	Master passcode	✓	Scan fingerprints 6 times based on voice navigation. Every time there will be a short beep sound. Scanning different parts of your finger each time will increase sensitivity, and the lock will automatically learn your fingerprint. After multiple uses, it will become more sensitive.
DELETE FINGERPRINT						
Press	Press	Press	Press	Enter	Press	
✓	①	①	✓	Master passcode	✓	Scan unwanted fingerprint
DELETE ALL FINGERPRINT						
Press	Press	Press	Press	Enter	Press	
✓	①	②	✓	Master passcode	✓	

FINGERPRINT

PASSCODE

ADD USER PASSCODE									
Press	Press	Press	Enter	Press	Enter	Press	Enter same	Press	
✓	①	✓	Master passcode	✓	New user passcode	✓	New user passcode	✓	
Note : The New User Passcode must be different from all of the Passcodes currently in the lock.									
CHANGE MASTER PASSCODE									
Press	Press	Press	Enter	Press	Enter same	Press	Enter	Press	Enter same
✓	②	✓	Master passcode	✓	master passcode	✓	New master passcode	✓	New master passcode
⚠ Note : The master code MUST EXIST in the lock and cannot be deleted, but can ONLY be changed.									
CHANGE THE USER PASSCODE									
Press	Press	Press	Enter	Press	Enter	Press	Enter	Press	Enter same
✓	②	✓	Master passcode	✓	Unwanted user passcode	✓	New user passcode	✓	New user passcode
Note : The New user passcode must be different from all of the passcodes currently in the lock.									
DELETE USER PASSCODE									
Press	Press	Press	Enter	Press	Enter	Press			
✓	③	✓	Master passcode	✓	Unwanted user passcode	✓			
DELETE ALL USER PASSCODES									
Press	Press	Press	Enter	Press					
✓	④	✓	Master passcode	✓	⚠ Note : The master code cannot be deleted, but can ONLY be changed.				

PASSCODE

BEEPER

ENABLE KEY TONE					DISABLE KEY TONE				
Press	Press	Press	Enter	Press	Press	Press	Enter	Press	Press
✓	⑥	✓	Master passcode	✓	①	✓	Master passcode	✓	①

BEEPER

PASSAGE

EASY PASSAGE MODE					With EASY PASSAGE MODE active, the door will stay unlocked. Press any button to turn off this function when it is no longer needed.
Press	Press	Press	Enter	Press	
✓	⑤	✓	Master passcode	✓	
ADVANCED PASSAGE MODE					With ADVANCED PASSAGE MODE active, open the door by twisting the handle directly. Turn off this mode only by entering master code and check key. * Press the check button 4 times in a row, the door will be immediately locked, which overrides any working modes.
Press	Press	Press	Enter	Press	
✓	①	✓	Master passcode	✓	

PASSAGE

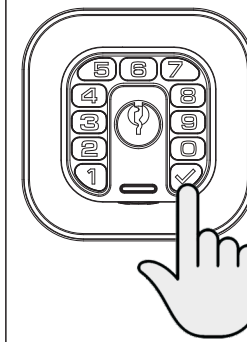
ADVANCED

AUTO-LOCK MODE					In AUTO-LOCK MODE the door will automatically lock after each unlocking, the auto-lock time depends on the setting of the auto-lock timer. * Press the check button 4 times in a row, door will be immediately locked, which overrides any working modes.
Press	Press	Press	Enter	Press	
✓	①	✓	Master passcode	✓	
MANUAL LOCK MODE					In MANUAL LOCK MODE the auto-lock will turn off. After unlocking the door with a passcode or fingerprint, it will remain unlocked until any button is pressed.
Press	Press	Press	Enter	Press	
✓	②	✓	Master passcode	✓	
SET AUTO-LOCK TIMER					The automatic lock time unit is seconds. Minimum is 2 seconds. Maximum is 43200 seconds (12 hours). Default is 4 seconds.
Press	Press	Press	Enter	Press	
✓	③	✓	Master passcode	✓	
ACTIVATE REMOTE CODE FEATURE					The activate code is generated by the website,(www.mylock.iulock.com) Deactivate remote code function when the activate code is 0.
Press	Press	Press	Enter	Press	
✓	⑧	✓	Master passcode	✓	

ADVANCED

Programming

Voice navigation mode



Enter master code



To make your programming easier, this lock offers Voice Navigation, which you can access by holding ✓ for 4 seconds.

Press and hold ✓ for 4 seconds

- ① Exit voice navigation
 - ② Register fingerprint
 - ③ Delete one fingerprint
 - ④ Delete all fingerprints
 - ⑤ Add user code
 - ⑥ Change code
 - ⑦ Delete one user code
 - ⑧ Delete all user codes
 - ⑨ System settings
- ① Return to main menu
 - ② Turn on the key tone
 - ③ Turn off the key tone
 - ④ Manual lock mode
 - ⑤ Auto lock mode
 - ⑥ Auto-lock timer
 - ⑦ Restore the factory

Troubleshooting

The lock doesn't work?
Try replacing the battery or using the backup battery. If the lock still does not work, contact customer support.

Why can't I open the door?
You may be waiting too long to open the door. After entering a code, turn the handle to open the door while the lock LED indicator light is green. Once the LED indicator light is off, the lock will immediately return to the locked state.

Why I can open without passcode?
You maybe activate the passage mode, use master code access will turn off this function. If you just installed it, make sure the "THIS SIDE UP" on the spindle is facing up (ceiling), please check 3.1 section.

I forgot all my codes.
The lock must undergo a hard reset in order to set the master code back to default and erase all other codes. In order to perform a hard reset, please refer to the above "Restore Factory Settings".

When I put the code in, it gives a green indicator light and beeps(no motor noise), but it doesn't unlock?
Please try using the self-diagnosis command. 9 1 7890. You will hear continuous buzzing and motor noise. If no motor noise, try turning the knob left and right quickly when it beeping. If the motor noise can be heard, it indicates that it has returned to normal. Run it for 2-3minutes or more, then press any key to exit the self-diagnosis.

If none of the above information resolves your issue, please visit our website at: www.iulock.com

Warranty

1-Year Limited Mechanical and Finish Warranty and 1-Year Limited Electronics Warranty Subject to the terms and conditions of the warranty, IULOCK extends 1-Year limited mechanical and finish warranty and a one-year limited electronics warranty to the original consumer user ("Original User") of our IULOCK brand product ("Product") against defects in material and workmanship, as long as the Original User occupies the residential premises upon which the Product was originally installed. See answers www.iulock.com for specific warranty details and limitations.

Important Safeguards

1. Read all instructions in their entirety.
2. Familiarize yourself with all warning and caution statements.
3. Remind all family members of safety precautions.
4. Protect your user passcode and master passcode.
5. Dispose of used batteries according to local laws and regulations.

WARNING

This Manufacturer advises that no lock can provide complete security by itself. This lock maybe defeated by forcible or technical means. or evaded by entry elsewhere on the property. No lock can substitute for caution, awareness of your environment, and common sense. Builder's hardware is available in multiple performance grades to suit the application. In order to enhance security and reduce risk, you should consult a qualified locksmith or other security professional.

