

Richelock

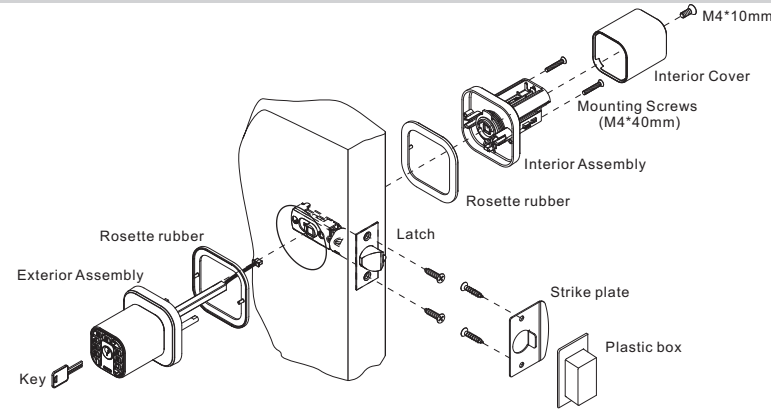
IU-50 Electronic Door Lock Installation and User Guide

Required tools (not included)

- Ruler
- Phillips head screwdriver
- Hammer
- Chisel

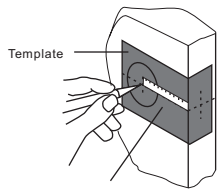


Lock Components



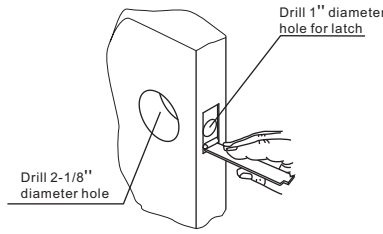
1. Prepare the door and check dimensions

1.1 Use template to mark holes

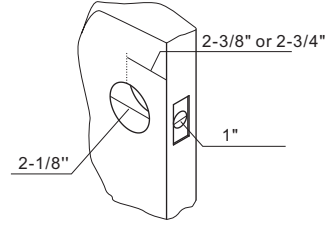


Measure your door for a backset of the 2-3/8" or 2-3/4". If it is 2-3/4", adjust the latch as follows: Grasp the spring pin and move it from the 2-3/8" slot to 2-3/4" slot.

1.2 Drill two holes

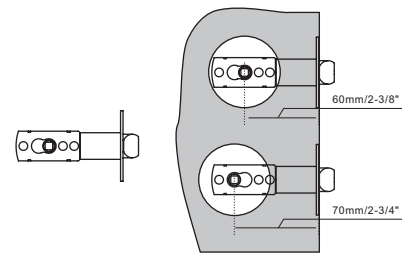


1.3 Check dimensions

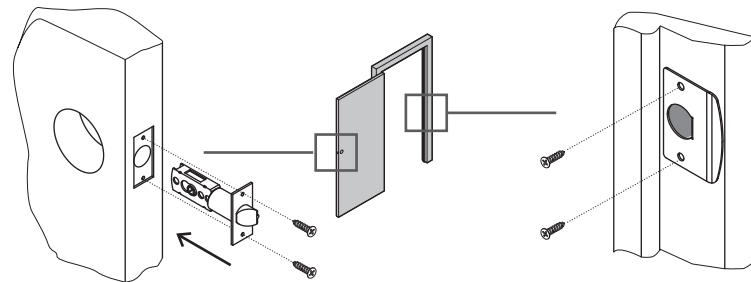


2. Install the latch and strike plate

2.1 Setting latch (2-3/8" or 2-3/4")



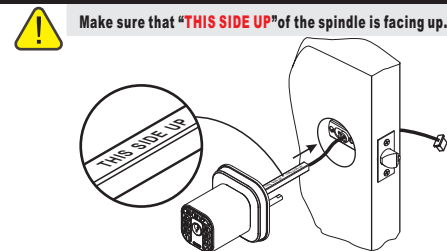
2.2 Install the latch



2.3 Install the strike plate

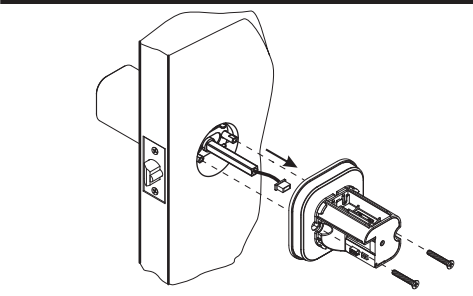
3. Install the exterior keypad and the interior assembly

3.1 Install the exterior keypad



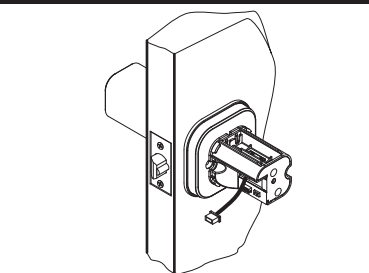
Align the exterior keypad with the bore hole. Feed the power cable through latch. The spindle on the exterior keypad should be aligned with the hole in the center of the latch. Insert the spindle through this hole as you press the exterior keypad against the door.

3.2 Install the interior assembly



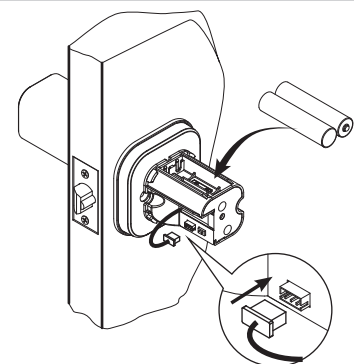
Feed power cable through the hole in knob and guide spindle into the handle.

3.3 Push out the power cable

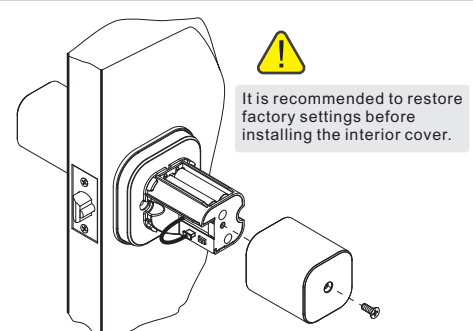


Do not pull the power cable too hard. Make sure the inside knob turns easily.

4. Install the batteries and perform the door handing process



5. Install the interior cover



It is recommended to restore factory settings before installing the interior cover.

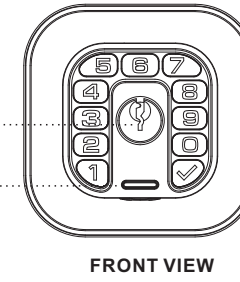
6. Test the door lock

- Step 1:** Test the exterior knob. Turn the exterior knob clockwise or counterclockwise. And the latch will not move. If the latch moves in one direction, it means it is not installed correctly, please check step 3.1 section.
- Step 2:** Test the interior knob. Turn the interior knob clockwise or counterclockwise. The latch should move smoothly in both directions.
- Step 3:** Test the default master code. Enter 123456, and you will see a green light and hear one long beep.
- Turn the exterior knob when it turns green. The latch should move smoothly in and out.

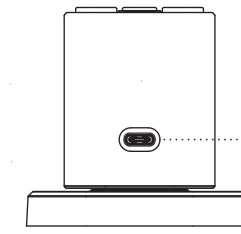
CUSTOMER SUPPORT
www.iulock.com

Mechanical Key Hole

LED indicator



FRONT VIEW



BOTTOM VIEW

USB-C Port
Only for emergency power supply in case of battery failure.



Cannot be used for battery charging.

Indicator light signals and beep

The color of the light indicates & beep, the status of the lock.

Green

- a correct master passcode or user passcode was entered, one long beep
- the programming process is complete, one long beep

Red

- an incorrect master passcode or user passcode was entered, three short beep
- there was an error in programming, three short beep
- red blinking and beep after keypad backlight off indicates critically low battery

Unlock with passcode

ENTER	PRESS
master code or user code	✓

Green and one long beep

Code correct, you can turn the knob to open the door immediately, and it will be automatically locked later (the automatic locking time depends on the setting of the automatic locking timer, the default is 4 seconds).

Red and three short beeps

The code is incorrect, please re-enter the correct code and press the check button to confirm

Passcode and Passcode Disguise

Master passcode

- The master code MUST EXIST and can be modified, but cannot be deleted.
 - The lock comes preset with default master passcode 123456.
 - Make sure to set a new master code which can be 1-15 digits long as soon as you finish installing the lock.
 - Used to put the lock in programming mode.
 - Can unlock the lock.
 - Must be different from all of the User Codes currently in the lock.
- If you forget the master passcode, you may reset the lock to factory settings, which restores the default master passcode. Please see Restore Factory Settings.

User passcode

- User codes can be added, modified, deleted.
- Can be 1-15 digits long.
- The lock comes preset with no user codes.
- Used to unlock the lock.
- Must be different from the master passcode and other user passcodes.
- Up to 50 possible user codes can be stored in the lock at one time.

Passcode Disguise

This function is an added security feature which is aimed at preventing passcode theft. With Passcode Disguise, you may enter up to 40 digits into the keypad. As long as the correct passcode sequence is entered, regardless of how many digits were entered before or afterwards, the lock will unlock. For example, if your user passcode is "112256", you can successfully unlock the lock by entering "****112256****" (limit 40 digits).

Unlock with key

Insert the key and rotate the key. The first quarter turn should be very easy, then continue to turn the key to retract the latch and you may need to apply some force.

Tips: Turning the handle with the other hand in the same direction while you are turning the key will make it easier to open.

Note: Because the knob is relative heavy and the mechanical key of this electronic door knob is completely independent, so using the key requires a little more force than the common mechanical lock.

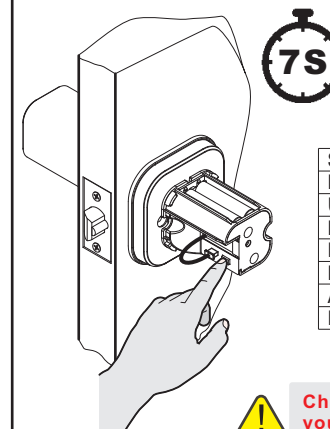
Immediate Lock



Press the check button 4 times in a row at any time and the door will be immediately locked, which overrides any other working modes.

Restore Factory Settings

- To delete all user codes, including the master code, follow the instructions below:
- Use a screwdriver to remove the screws from the interior cover.
 - Remove the cover and find the reset button located on the battery pack.
 - Press and hold the reset button for 7 seconds until long beep are heard. The master passcode will return to the manufacturer default code '123456'.



Settings	Default
Master code	123456
User code	Not preset
Beeper	Enable
Passage mode	Disable
Lock mode	Auto-lock mode
Auto-lock timer	4 seconds
Remote code	Deactivated



Change your master code immediately when you finish restoring the factory settings.

Features

- Two ways to access: code and key
- 22 F to +176 F temperature range
- Low power consumption, 2 AAA for 1 Year Battery Life or 12,000 times unlock
- Backlit keypad for use in low light environments
- 1 master code and 50 user codes
- Built-in mobile remote code
- Passage mode for hassle-free entry
- Built-in disguise feature to protect your codes from prying eyes
- Low battery warning indication

No.	Item	Description
1	Keys	2 Mechanical keys (KW1 model)
2	Latch	Spring Latch (2-3/8" or 2-3/4" adjustable)
3	Master code	1 Group (From 1 to 15 digit in length)
4	User code	50 Groups (From 1 to 15 digit in length)
5	Battery usage	2 AAA Batteries (Not included)
6	Battery life	1 Year Battery Life or 12,000 times unlock
7	Operation temperature	From -22 F to +176 F

Programming

» If you make a mistake during programming, press the check button repeatedly until the keypad lights up. Then start over.

PASSCODE	ADD USER PASSCODE										
	Press	Press	Press	Enter	Press	Enter	Press	Enter same	Press		
	✓	①	✓	Master passcode	✓	New user passcode	✓	New user passcode	✓		
	Note : The New User Passcode must be different from all of the Passcodes currently in the lock.										
	CHANGE MASTER PASSCODE										
Press	Press	Press	Enter	Press	Enter same	Press	Enter	Press	Enter same	Press	
✓	②	✓	Master passcode	✓	master passcode	✓	New master passcode	✓	New master passcode	✓	
⚠ Note : The master code MUST EXIST in the lock and cannot be deleted, but can ONLY be changed.											
CHANGE USER PASSCODE											
Press	Press	Press	Enter	Press	Enter	Press	Enter	Press	Enter same	Press	
✓	②	✓	Master passcode	✓	Unwanted user passcode	✓	New user passcode	✓	New user passcode	✓	
Note : The New user passcode must be different from all of the passcodes currently in the lock.											
DELETE A USER PASSCODE											
Press	Press	Press	Enter	Press	Enter	Press					
✓	③	✓	Master passcode	✓	Unwanted user passcode	✓					
DELETE ALL USER PASSCODES											
Press	Press	Press	Enter	Press							
✓	④	✓	Master passcode	✓							
⚠ Note : The master code cannot be deleted, but can ONLY be changed.											

BEEPER	DISABLE BEEPER							The beeper can be turned off if desired. But the buzzer will still beep when the battery is low.
	Press	Press	Press	Enter	Press	Press	Press	
✓	⑥	✓	Master passcode	✓	①	✓		
ENABLE BEEPER								
Press	Press	Press	Enter	Press	Press	Press		
✓	⑥	✓	Master passcode	✓	①	✓		

PASSAGE	EASY PASSAGE MODE					With EASY PASSAGE MODE active, the door will stay unlocked. Press any button to turn off this function when it is no longer needed.
	Press	Press	Press	Enter	Press	
✓	⑤	✓	Master passcode	✓		
ADVANCED PASSAGE MODE						With ADVANCED PASSAGE MODE active, open the door by twisting door handle directly. Turn off this mode only by entering master code and check key. * Press the check button 4 times in a row, the door will be immediately locked, which overrides any working modes.
Press	Press	Press	Enter	Press	Press	
✓	①	✓	Master passcode	✓	①	✓

ADVANCED	AUTO-LOCK MODE							In AUTO-LOCK MODE, the door will automatically lock after each unlocking, the auto-lock time depends on the setting of the auto-lock timer. * Press the check button 4 times in a row, the door will be immediately locked, which overrides any working modes.
	Press	Press	Press	Enter	Press	Press	Press	
✓	①	✓	Master passcode	✓	①	✓		
MANUAL-LOCK MODE								
Press	Press	Press	Enter	Press	Press	Press		
✓	①	✓	Master passcode	✓	②	✓		
SET AUTO-LOCK TIMER								
Press	Press	Press	Enter	Press	Press	Press	Enter	Press
✓	⑨	✓	Master passcode	✓	③	✓	Auto-lock timer	✓
The automatic lock time unit is seconds. Minimum is 2 seconds. Maximum is 43200 seconds (12 hours). Default is 4 seconds.								

REMOTE	ACTIVATE REMOTE CODE FEATURE							The activate code is generated by the website, (www.mylock.iulock.com) Deactivate remote code function when the activate code is 0.
	Press	Press	Press	Enter	Press	Enter	Press	
✓	⑧	✓	Master passcode	✓	Activate code	✓		

Troubleshooting

www.iulock.com
Online Service

- Q: Why is it beeping after keypad light off?**
A: The battery may be low. Please replace the battery.
- Q: The lock doesn't work?**
A: Try replacing the battery or using the backup battery. If the lock still does not work, contact customer support.
- Q: Why can't I open the door?**
A: You may be waiting too long to open the door. After entering a code, turn the handle to open the door while the lock LED indicator light is green. Once the LED indicator light is off, the lock will return to locked position immediately.
- Q: Why I can open without passcode?**
A: You maybe active the passage mode, use master code access will turn off this function.
- Q: Why I can open without passcode?**
A: If you just installed it, Please turn the outside knob clockwise or counterclockwise to check whether the latch moves. If the latch can only move in one direction, it means the installation is wrong. When the spindle is inserted into the latch, make sure the "THIS SIDE UP" on the spindle is facing up (ceiling), please check 3.1 section.
- Q: I forgot all my codes.**
A: The lock must undergo a hard reset in order to set the master code back to default and erase all other codes. In order to perform a hard reset, please refer to the above "Restore Factory Settings".
- Q: When I put the code in, it gives a green indicator light and beeps (no motor noise), but it doesn't unlock?**
A: Please try using the self-diagnosis command. 9 master code 1 7890 You will hear continuous buzzing and motor noise. If no motor noise, try turning the knob left and right quickly when it beeping. If the motor noise can be heard, it indicates that it has returned to normal. Run it for 2-3 minutes or more, then press any key to exit the self-diagnosis.
- If none of the above information resolves your issue, please visit our website at: www.iulock.com

Warranty

1-Year Limited Limited Mechanical and Finish Warranty and 1-Year Limited Electronics Warranty Subject to the terms and conditions of the warranty, IULOCK extends one-year limited mechanical and finish warranty and a one-year limited electronics warranty to the original consumer user ("Original User") of our IULOCK brand product ("Product") against defects in material and workmanship, as long as the Original User occupies the residential premises upon which the Product was originally installed. See answers www.iulock.com for specific warranty details and limitations.

Important Safeguards

1. Read all instructions in their entirety.
2. Familiarize yourself with all warning and caution statements.
3. Remind all family members of safety precautions.
4. Protect your user passcode and master passcode.
5. Dispose of used batteries according to local laws and regulations.

⚠ WARNING :

This Manufacturer advises that no lock can provide complete security by itself. This lock maybe defeated by forcible or technical means, or evaded by entry elsewhere on the property. No lock can substitute for caution, awareness of your environment, and common sense. Builder's hardware is available in multiple performance grades to suit the application. In order to enhance security and reduce risk, you should consult a qualified locksmith or other security professional.

